

Specifications

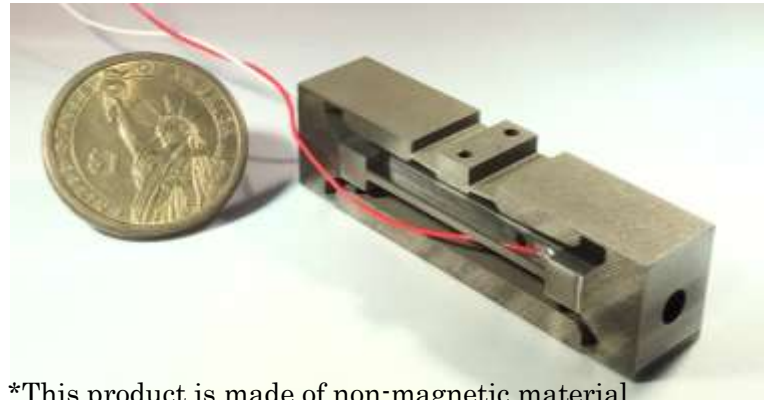
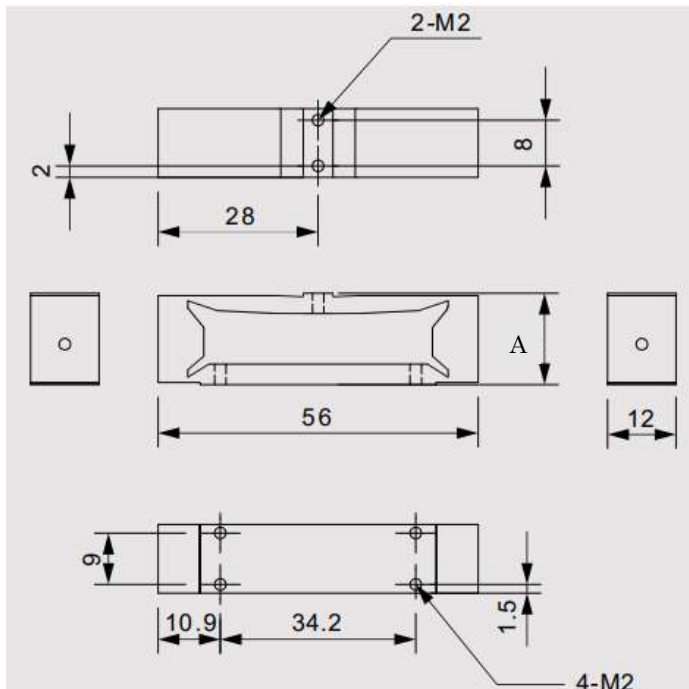
- **Open-loop stroke: 200 μm @ 150V (fixed-free)**
- *Tolerance value: 150~250 μm
- **Operating voltage: -20 V ~ +150 V**
- **Stiffness in motion direction: 0.28 N/ μm**
- **Resonance frequency(fixed-free): 1500 Hz**
- *Tolerance value: 1125~1875 Hz
- **Blocked force: 55 N** (*Tolerance value: 41~69N)
- **Capacitance: 1.28 μF**
- **Dimension: 56x12x16 mm**
- **Mechanical interface: 2-M2.0 Tapped hole and 4-M2.0 Tapped hole**
- **Environment: 0 to 85°C with humidity less than 40%**
- **Mass: 51.6 g**

*All dimensions and specifications stated are nominal.

Option:

- Mechanical interface can be tailor with an addition option fees.

Geometry



*This product is made of non-magnetic material.

