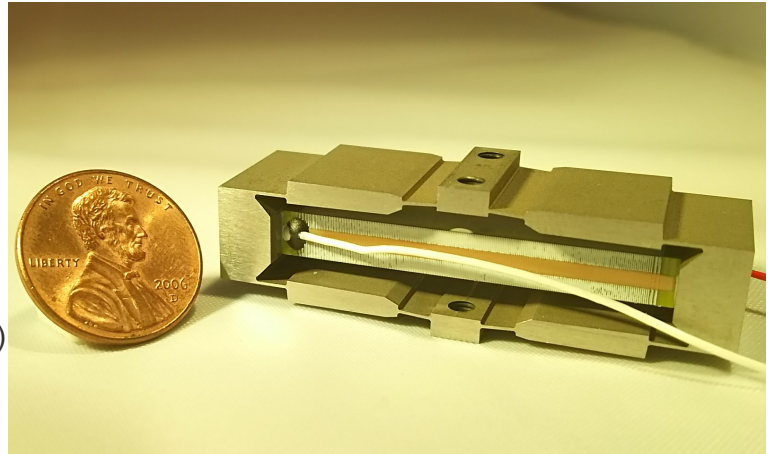


Specifications

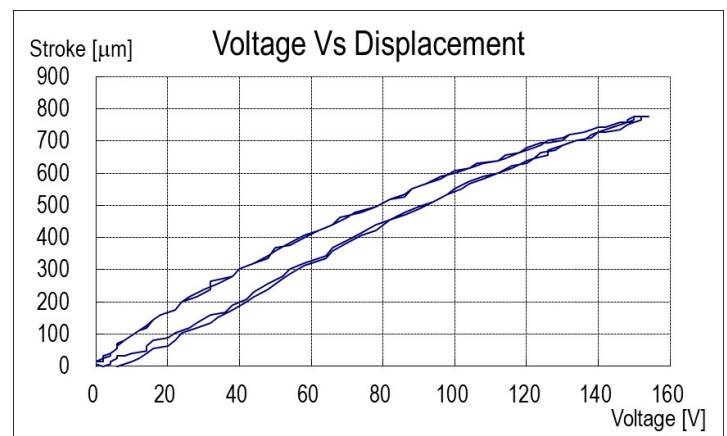
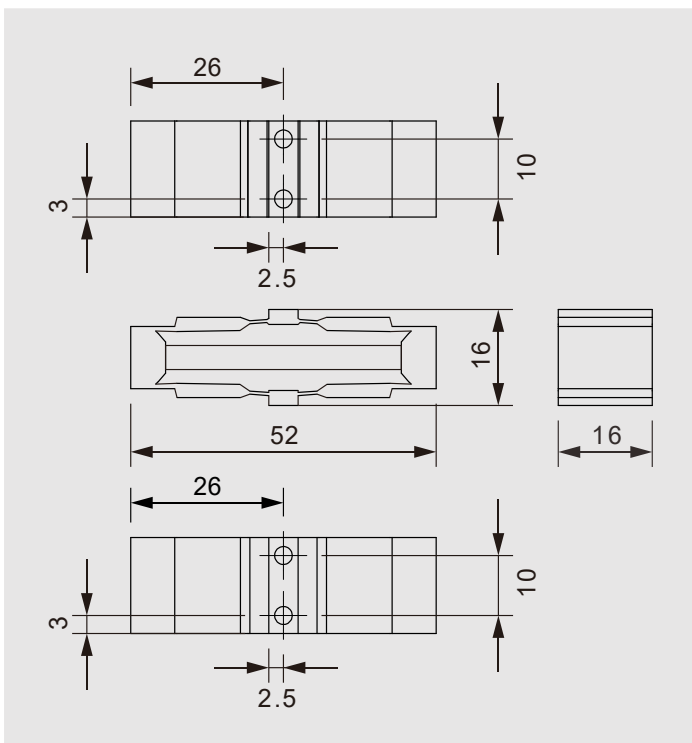
- **Open-loop stroke: 750 μm @ 150V (fixed-free)**
 - *Tolerance value: 600~900 μm
 - **Operating voltage: -20 V ~ +150 V**
 - **Stiffness in motion direction: 0.16 N/ μm**
 - **Resonance frequency(fixed-free): 320 Hz**
 - *Tolerance value: 250~390 Hz
 - **Blocked force: 120 N** (*Tolerance value: 90~150N)
 - **Capacitance: 11.5 μF**
 - **Dimension: 52x16x16 mm**
 - **Mechanical interface: 2-M3 Tapped hole at both sides**
 - **Environment: 0 to 85°C with humidity less than 40%**
 - **Mass: 48 g**
- *All dimensions and specifications stated are nominal.



Option:

- Mechanical interface can be tailor with an addition option fees.

Geometry



ANALYZER

